

DISPLAY REFRIGERATOR

Model: 1RNGD

Natural Refrigerant R-290 Model

1-Section Display Reach-In Refrigerator with Hinged Glass Door



ENERGY STAR® Qualified Commercial Refrigerator

1RNGD - Stainless steel front, aluminum end panels and interior

1RNSAGD - Stainless steel exterior, aluminum interior

1RNSSGD - Stainless steel exterior and interior

Designed to maintain NSF-7 temperatures in 100°F ambient.



Options and Accessories

(upcharge and lead times may apply)

| | |
|---------------------------------------|---------------------------------------------------|
| Stainless steel case back | Special electrical requirements (consult factory) |
| Additional epoxy coated steel shelves | Shallow depth (consult factory) |
| Chrome or stainless steel shelves | Solid door (consult factory) |
| Heavy duty pilaster strips | Half doors |
| Wine rack | Rehinging of doors (consult factory) |
| Adjustable legs | Pass thru (consult factory) |
| Pan slide assemblies | |
| Expansion valve | |

Consult factory for other model configurations, options and accessories.

Continental
Refrigerator



Project Name:

Model Specified:

Location:

Item No:

Quantity:

AIA #:

SIS #:

Standard Model Features

REFRIGERATION SYSTEM

Self contained, performance rated refrigeration system

Natural, environmentally safe, high efficiency R-290 refrigerant¹

Automatic, electric condensate evaporator

CABINET ARCHITECTURE

3" non-CFC polyurethane foam insulation

Triple-pane, tempered hinged glass door

Chrome plated handle

Cam action, lift-off hinges

Self-closing door

Magnetic snap in door gasket

Cylinder lock in door

Heavy duty, epoxy coated steel shelves

5" casters

MODEL FEATURES

LED interior lighting

Electronic control, off-cycle defrost

¹ R-290 refrigerant meets all federal and state regulatory requirements.

APPROVAL:

Model Specifications

DIMENSIONAL DATA

| | |
|----------------------------------------------------|------------------|
| Net Capacity (cubic feet) | 20 (566 cu l) |
| Width, Overall (inches) | 26 (660 mm) |
| Depth, Overall (inches) (including handle) | 35 3/8 (899 mm) |
| Depth (inches) (less door) | 32 (813 mm) |
| Depth (inches) (door open 90°) | 55 1/2 (1410 mm) |
| Clear Door Width (inches) | 19 3/8 (492 mm) |
| Clear Door Height (inches) | 58 5/8 (1489 mm) |
| Height, Overall (inches) (including 5" casters) | 82 1/4 (2089 mm) |
| Number of Doors | 1 |
| Number of Shelves | 4 |
| Shelf Area (square feet) | 20.4 (1.9 sq m) |
| Tray Slide Capacity | 24 |

REFRIGERANT DATA

| | |
|-----------------------------|------|
| Condensing Unit Size (H.P.) | 1/4+ |
| Capacity (BTU per hour)* | 1940 |

ELECTRICAL DATA

| | |
|------------------------------------------------|---------------------|
| Voltage (International) | 115/60/1 (220/50/1) |
| Feed Wires (including ground) | 3 |
| Total Amps (International) | 6.5 (4.2) |
| 10 ft. Cord/Plug [attached] (International) | Yes (No) |

SHIPPING DATA

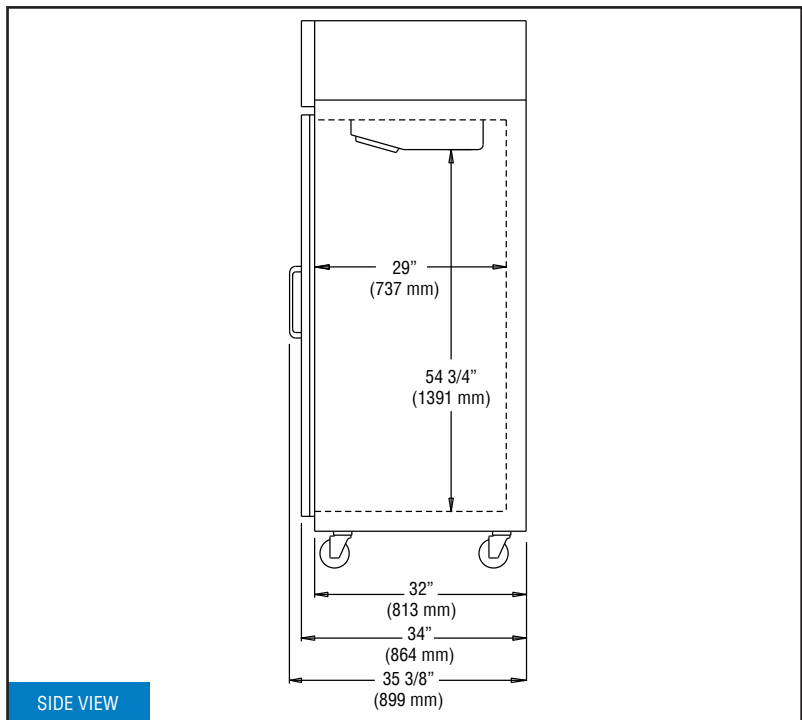
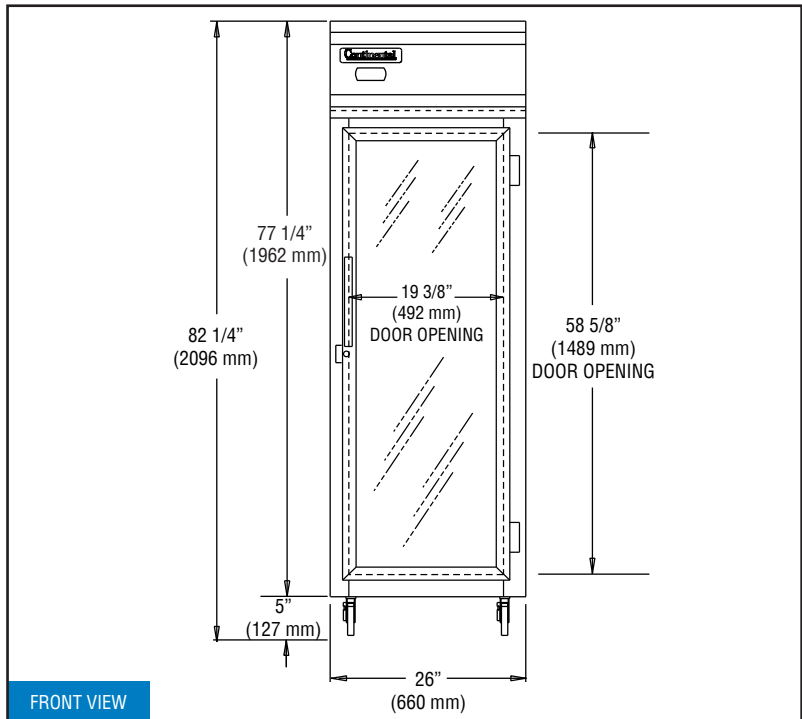
| | |
|------------------------------|------------------|
| Height - Crated (inches) | 85 1/2 (2172 mm) |
| Width - Crated (inches) | 31 5/8 (803 mm) |
| Depth - Crated (inches) | 42 (1067 mm) |
| Volume - Crated (cubic feet) | 65 (1841 cu l) |
| Weight Std - Crated (pounds) | 305 (139 kg) |
| Weight SS - Crated (pounds) | 366 (166 kg) |

* Rating @ +25°F evaporator, 90°F ambient
Figures in parentheses reflect metric equivalents rounded to the nearest whole unit.



Equipped with one NEMA-5-15P Plug
(varies by country)

Model Plan Views



IMPORTANT NOTE: If the cabinet is located directly against a wall and/or under a low ceiling, a minimum clearance of 12" is required on top and 3" on sides and rear.



Toll-Free: 800-523-7138
Phone: 215-244-1400
Fax: 215-244-9579

539 Dunksferry Road
Bensalem, PA 19020
www.continentalrefrigerator.com

Due to our continued efforts in developing innovative products, specifications subject to change without notice.



PROUDLY
DESIGNED & ASSEMBLED
IN THE U.S.A.

Intertek