

DISPLAY REFRIGERATOR

Model: 2RENSGDHD

Natural Refrigerant R-290 Model

2-Section Extra-Wide Display Reach-In Refrigerator with Half Sliding Glass Doors

2RENSGDHD - Stainless steel front, aluminum end panels and interior
2RENSASGDHD - Stainless steel exterior, aluminum interior
2RENSSSGDHD - Stainless steel exterior and interior
 Designed to maintain NSF-7 temperatures in 100°F ambient.



Options and Accessories

(upcharge and lead times may apply)

Stainless steel case back	Universal pan slides
Additional epoxy coated steel shelves	Adjustable legs
Chrome or stainless steel shelves	Expansion valve
Heavy duty pilaster strips	Special electrical requirements (consult factory)
Wine rack	

Consult factory for other model configurations, options and accessories.

Continental
Refrigerator



Project Name:

Model Specified:

Location:

Item No:

Quantity:

AIA #:

SIS #:

Standard Model Features

REFRIGERATION SYSTEM

Self contained, performance rated refrigeration system

Natural, environmentally safe, high efficiency R-290 refrigerant¹

Automatic, electric condensate evaporator

CABINET ARCHITECTURE

3" non-CFC polyurethane foam insulation

Double-pane, tempered sliding glass doors

Snap in door wiper

Door locks

Self-closing doors

High efficiency Black PVC frame

Heavy duty, epoxy coated steel shelves

5" casters

MODEL FEATURES

LED interior lighting

Electronic control, off cycle defrost

¹ R-290 refrigerant meets all federal and state regulatory requirements.

APPROVAL:

Model Specifications

DIMENSIONAL DATA

Net Capacity (cubic feet)	50 (1416 cu l)
Width, Overall (inches)	57 (1448 mm)
Depth, Overall (inches) (including grill)	34 (mm)
Depth (inches) (less grill)	32 (813 mm)
Clear Door Width (inches)	21 7/8 (556 mm)
Clear Half Door Height (inches)	26 7/8 (699 mm)
Height, Overall (inches) (including 5" casters)	82 1/4 (2096 mm)
Number of Doors	4
Number of Shelves	8
Shelf Area (square feet)	44.5 (4.1 sq m)
Tray Slide Capacity (per half section) (2" centers)	11

REFRIGERANT DATA

Condensing Unit Size (H.P.)	1/3+
Capacity (BTU per hour)*	2560

ELECTRICAL DATA

Voltage (International)	115/60/1 (220/50/1)
Feed Wires (including ground)	3
Total Amps (International)	8.4 (5.1)
10 ft. Cord/Plug [attached] (International)	Yes (No)

SHIPPING DATA

Height - Crated (inches)	85 1/2 (2172 mm)
Width - Crated (inches)	64 (1626 mm)
Depth - Crated (inches)	42 (1067 mm)
Volume - Crated (cubic feet)	133 (3766 cu l)
Weight Std - Crated (pounds)	515 (234 kg)
Weight SS - Crated (pounds)	618 (281 kg)

* Rating @ +25°F evaporator, 90°F ambient
 Figures in parentheses reflect metric equivalents rounded to the nearest whole unit.



Equipped with one NEMA-5-15P Plug (varies by country)



Toll-Free: 800-523-7138
 Phone: 215-244-1400
 Fax: 215-244-9579

539 Dunksferry Road
 Bensalem, PA 19020
www.continentalrefrigerator.com

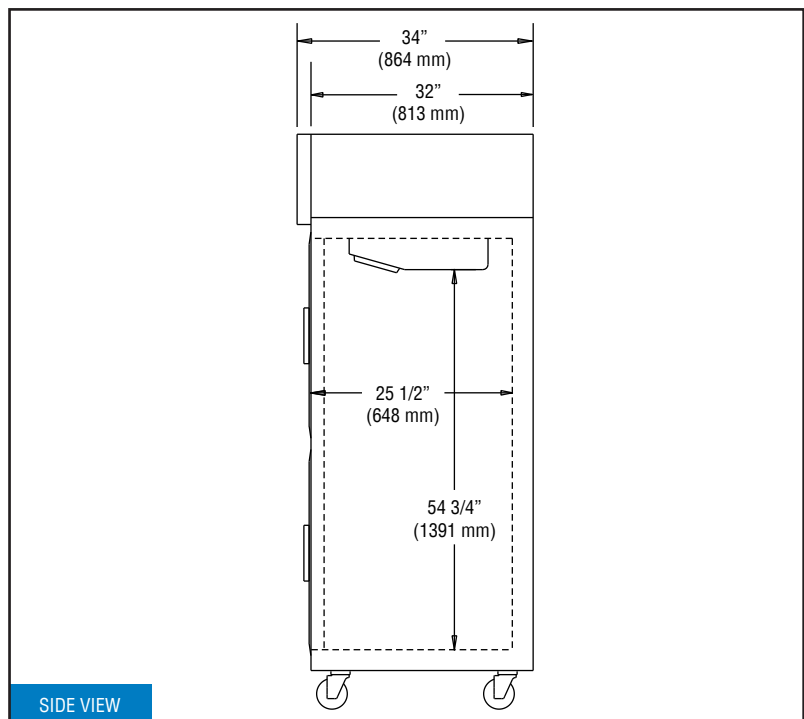
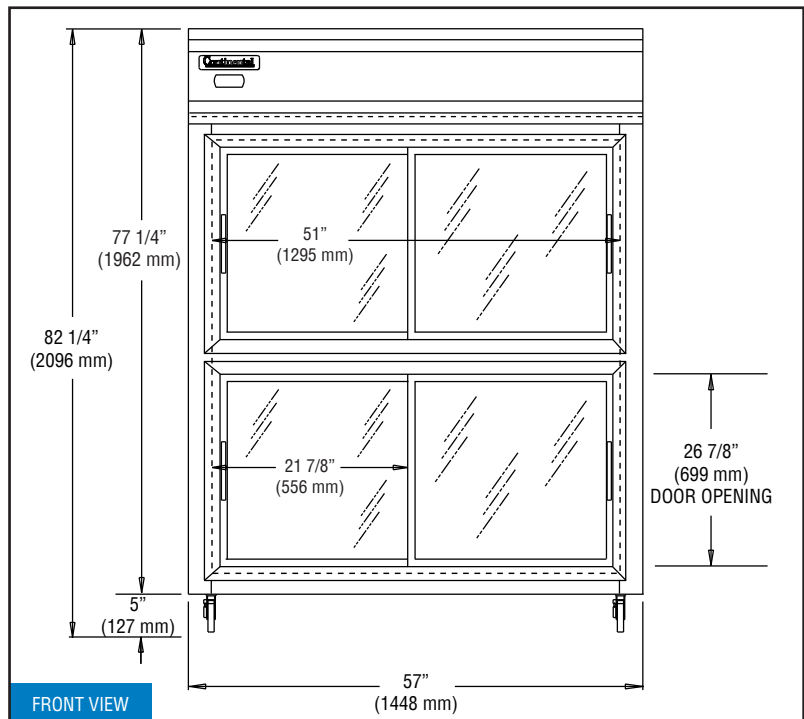
Due to our continued efforts in developing innovative products, specifications subject to change without notice.



PROUDLY
 DESIGNED & ASSEMBLED
 IN THE U.S.A.

© Copyright 2021. Continental Refrigerator.
 A Division of National Refrigeration & Air Conditioning Products, Inc.

Model Plan Views



IMPORTANT NOTE: If the cabinet is located directly against a wall and/or under a low ceiling, a minimum clearance of 12" is required on top and 3" on sides and rear.

REVISED: 2/29/24