

DISPLAY REFRIGERATOR

Model: 2RSNSGD

Natural Refrigerant R-290 Model

2-Section Display Reach-In Refrigerator with Sliding Glass Doors Shallow Depth

2RSNSGD - Stainless steel front, aluminum end panels and interior
2RSNSASGD - Stainless steel exterior, aluminum interior
2RSNSSGD - Stainless steel exterior and interior
Designed to maintain NSF-7 temperatures in 100°F ambient.



Options and Accessories

(upcharge and lead times may apply)

| | |
|---------------------------------------|---|
| Stainless steel case back | Adjustable legs |
| Additional epoxy coated steel shelves | Expansion valve |
| Chrome or stainless steel shelves | Special electrical requirements (consult factory) |
| Heavy duty pilaster strips | Wine rack |

Consult factory for other model configurations, options and accessories.

Continental
Refrigerator



Project Name:

Model Specified:

Location:

Item No:

Quantity:

AIA #:

SIS #:

Standard Model Features

REFRIGERATION SYSTEM

Self contained, performance rated refrigeration system

Natural, environmentally safe, high efficiency R-290 refrigerant¹

Automatic, electric condensate evaporator

CABINET ARCHITECTURE

3" non-CFC polyurethane foam insulation

Double-pane, tempered sliding glass doors

Snap in door wiper

Door locks

Self-closing doors

High efficiency Black PVC frame

Heavy duty, epoxy coated steel shelves

5" casters

MODEL FEATURES

LED interior lighting

Electronic control, off cycle defrost

¹ R-290 refrigerant meets all federal and state regulatory requirements.

APPROVAL:

Model Specifications

DIMENSIONAL DATA

| | |
|---|------------------|
| Net Capacity (cubic feet) | 32 (906 cu l) |
| Width, Overall (inches) | 52 (1321 mm) |
| Depth, Overall (inches) (including grill) | 27 7/8 (708 mm) |
| Depth (inches) (less grill) | 25 7/8 (657 mm) |
| Clear Door Width (inches) | 17 3/4 (451 mm) |
| Clear Door Height (inches) | 54 3/4 (1391 mm) |
| Height, Overall (inches) (including 5" casters) | 82 1/4 (2096 mm) |
| Number of Doors | 2 |
| Number of Shelves | 8 |
| Shelf Area (square feet) | 40.8 (3.8 sq m) |

REFRIGERANT DATA

| | |
|-----------------------------|------|
| Condensing Unit Size (H.P.) | 1/3+ |
| Capacity (BTU per hour)* | 2560 |

ELECTRICAL DATA

| | |
|---|---------------------|
| Voltage (International) | 115/60/1 (220/50/1) |
| Feed Wires (including ground) | 3 |
| Total Amps (International) | 8.4 (5.1) |
| 10 ft. Cord/Plug [attached] (International) | Yes (No) |

SHIPPING DATA

| | |
|------------------------------|------------------|
| Height - Crated (inches) | 85 1/2 (2172 mm) |
| Width - Crated (inches) | 64 (1626 mm) |
| Depth - Crated (inches) | 42 (1067 mm) |
| Volume - Crated (cubic feet) | 133 (3766 cu l) |
| Weight Std - Crated (pounds) | 419 (190 kg) |
| Weight SS - Crated (pounds) | 503 (229 kg) |

* Rating @ +25°F evaporator, 90°F ambient
 Figures in parentheses reflect metric equivalents rounded to the nearest whole unit.



Equipped with one NEMA-5-15P Plug (varies by country)



Toll-Free: 800-523-7138
 Phone: 215-244-1400
 Fax: 215-244-9579

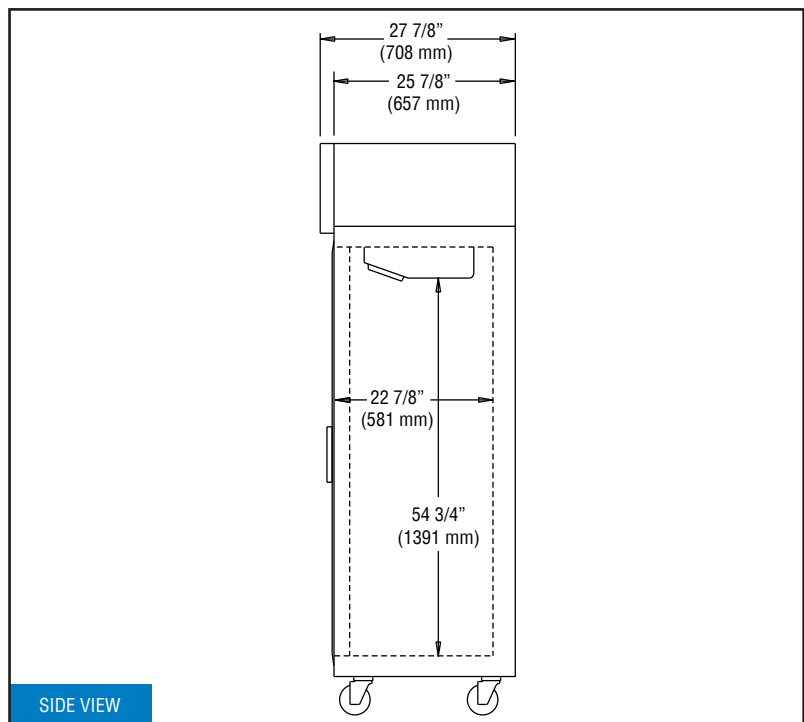
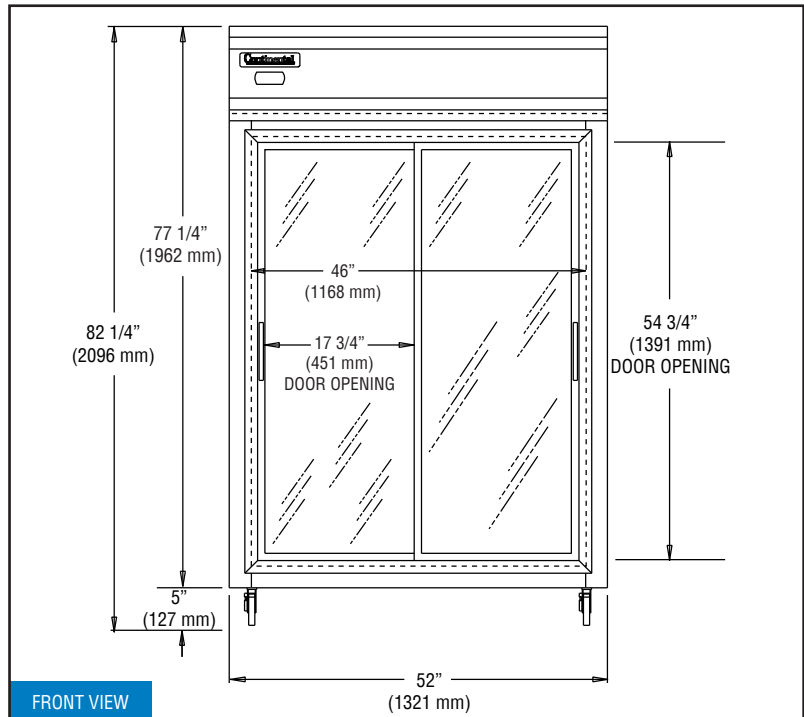
539 Dunksferry Road
 Bensalem, PA 19020
www.continentalrefrigerator.com

Due to our continued efforts in developing innovative products, specifications subject to change without notice.



© Copyright 2021. Continental Refrigerator.
 A Division of National Refrigeration & Air Conditioning Products, Inc.

Model Plan Views



IMPORTANT NOTE: If the cabinet is located directly against a wall and/or under a low ceiling, a minimum clearance of 12" is required on top and 3" on sides and rear.

REVISED: 2/28/24