

DESIGNER LINE REFRIGERATOR

Model: D1REN

Natural Refrigerant R-290 Model



1-Section Extra-Wide Reach-In Refrigerator



ENERGY STAR® Qualified Commercial Refrigerator

- D1REN** - Stainless steel front, aluminum end panels and interior
- D1RENSA** - Stainless steel exterior, aluminum interior
- D1RENSS** - Stainless steel exterior and interior



Options and Accessories

(upcharge and lead times may apply)

| Stainless steel case back | Correctional Facility Options |
|---------------------------------------|--|
| Additional epoxy coated steel shelves | <ul style="list-style-type: none"> • One way security screws |
| Chrome or stainless steel shelves | <ul style="list-style-type: none"> • Locking hasp (lock not included) |
| Wine rack | <ul style="list-style-type: none"> • Stainless steel mesh cover |
| Caster options | <ul style="list-style-type: none"> • Coverless hinges |
| Universal pan slides | Special electrical requirements (consult factory) |
| Custom laminates | |

Consult factory for other model configurations, options and accessories.



Project Name:

Model Specified:

Location:

Item No:

Quantity:

AIA #:

SIS #:

Standard Model Features

REFRIGERATION SYSTEM

Self contained, performance rated "plug" refrigeration system

Natural, environmentally safe, high efficiency R-290 refrigerant¹

Refrigeration system is readily accessible on top of cabinet, separate from the "food zone"

Automatic, hot gas condensate evaporator

Expansion valve system

CABINET ARCHITECTURE

3" non-CFC polyurethane foam insulation

Smooth, polished chrome workflow door handle

Cam action, lift off hinges

Self-closing door

Magnetic snap-in Santoprene™ door gasket

Cylinder lock in door

Heavy duty pilaster strips

Heavy duty, epoxy coated steel shelves

Adjustable 6" stainless steel legs

MODEL FEATURES

LED interior lighting

Electronic control, off cycle defrost

Top and side air distribution ducts

Rehinging of door (in the field)

Cabinet upper side panels and refrigeration "plug" system can be removed and reinstalled at job site

¹ R-290 refrigerant meets all federal and state regulatory requirements.

APPROVAL:

Model Specifications

DIMENSIONAL DATA

| | |
|---|------------------|
| Net Capacity (cubic feet) | 22 (623 cu l) |
| Width, Overall (inches) | 28 1/2 (724 mm) |
| Depth, Overall (inches) (including handle) | 35 3/8 (899 mm) |
| Depth (inches) (less door) | 32 (813 mm) |
| Depth (inches) (door open 90°) | 58 (1473 mm) |
| Clear Door Width (inches) | 21 7/8 (556 mm) |
| Clear Door Height (inches) | 58 5/8 (1489 mm) |
| Height, Overall (inches) (including 6" legs) | 83 1/4 (2115 mm) |
| Number of Doors | 1 |
| Number of Shelves | 3 |
| Shelf Area (square feet) | 20.4 (1.9 sq m) |
| Tray Slide Capacity (2" centers) | 24 |

REFRIGERANT DATA

| | |
|-----------------------------|------|
| Condensing Unit Size (H.P.) | 1/4 |
| Capacity (BTU per hour)* | 1940 |

ELECTRICAL DATA

| | |
|--|---------------------|
| Voltage (International) | 115/60/1 (220/50/1) |
| Feed Wires (including ground) | 3 |
| Total Amps (International) | 5.1 (3.7) |
| 10 ft. Cord/Plug [attached] (International) | Yes (No) |

SHIPPING DATA

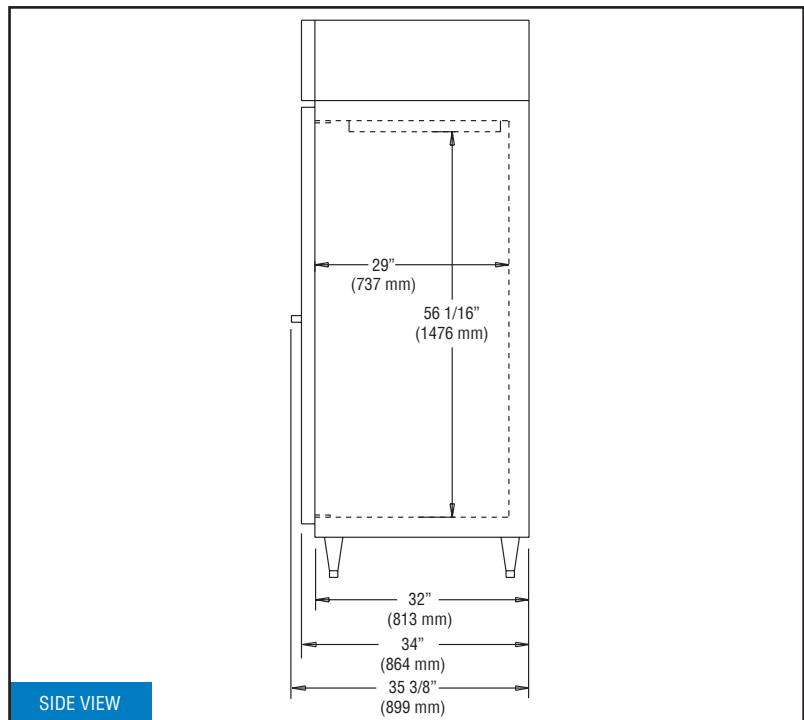
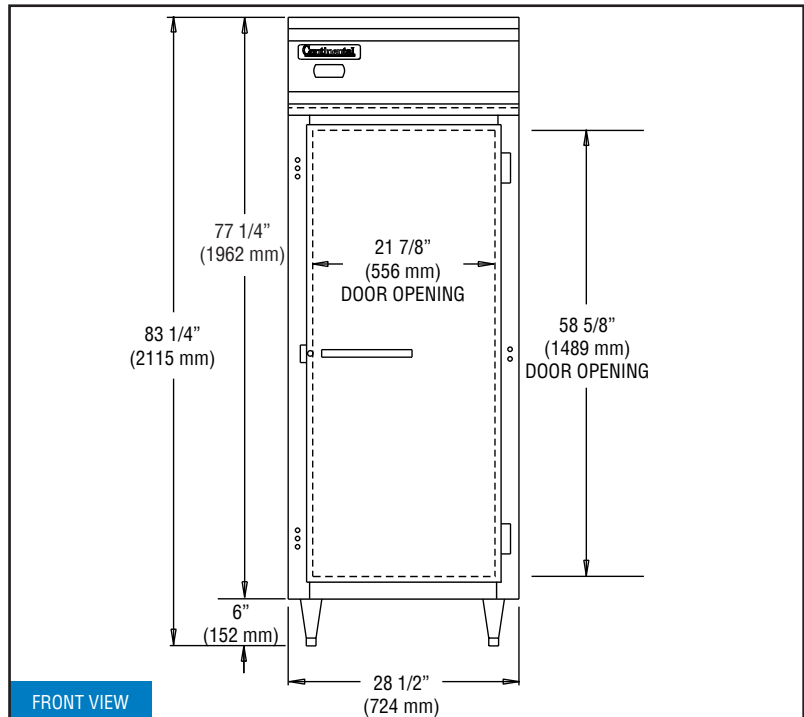
| | |
|------------------------------|------------------|
| Height - Crated (inches) | 85 1/2 (2172 mm) |
| Width - Crated (inches) | 31 5/8 (803 mm) |
| Depth - Crated (inches) | 42 (1067 mm) |
| Volume - Crated (cubic feet) | 65 (1841 cu l) |
| Weight Std - Crated (pounds) | 320 (146 kg) |
| Weight SS - Crated (pounds) | 380 (173 kg) |

* Rating @ +25°F evaporator, 90°F ambient
 Figures in parentheses reflect metric equivalents rounded to the nearest whole unit.



Equipped with one NEMA-5-15P Plug
 (varies by country)

Model Plan Views



IMPORTANT NOTE: If the cabinet is located directly against a wall and/or under a low ceiling, a minimum clearance of 12" is required on top and 3" on sides and rear.



Toll-Free: 800-523-7138
 Phone: 215-244-1400
 Fax: 215-244-9579

539 Dunksferry Road
 Bensalem, PA 19020
www.continentalrefrigerator.com

Due to our continued efforts in developing innovative products, specifications subject to change without notice.

