

# DESIGNER LINE FISH FILE

**Model: D1RSNSS-F**

*Designer Line*

## 1-Section Upright Fish File

Specially designed for the storage of fresh fish packed in crushed ice in drawer pans supplied with unit.

#300 Series stainless interior, stainless steel exterior.



## Options and Accessories

(upcharge and lead times may apply)

Stainless steel back	Special electrical requirements (consult factory)
Casters	Drawer locks

Consult factory for other model configurations, options and accessories.

Project Name:

Model Specified:

Location:

Item No:

Quantity:

AIA #:

SIS #:

## Standard Model Features

### REFRIGERATION SYSTEM

Self contained, performance rated refrigeration system

Natural, environmentally safe, high efficiency R-290 refrigerant<sup>1</sup>

Automatic, electric condensate evaporator

Non-corrosive, plasticized fin evaporator coil

Expansion valve

### CABINET ARCHITECTURE

3" non-CFC polyurethane foam insulation

Stainless steel, easy glide roll out drawers on heavy duty drawer track

Smooth, polished chrome drawer handles

Magnetic snap in Santoprene™ drawer gaskets

Adjustable 6" stainless steel legs

### MODEL FEATURES

Electronic controller with digital display & hi-low alarm

1" diameter cleanout drain (requires provisions for floor drain)

Fully welded, non-corrosive stainless steel pan per drawer w/built-in drain tubes and ice grates (drain into gutter)\*

Anti-sweat drawer facia heaters

<sup>1</sup> R-290 refrigerant meets all federal and state regulatory requirements.

\* Each drawer has a removable pan, with a drain tube at the back corner. Water from melting ice in the pan, along with moisture from the product, drains out the storage pan through the tube, a long a trough on the interior cabinet wall, down the sloped interior bottom, and out the cabinet through a 1" drain tube.

**Continental**  
Refrigerator



APPROVAL:

# Model Specifications

## DIMENSIONAL DATA

Net Capacity (cubic feet)	16 (453 cu l)
Width, Overall (inches)	26 (660 mm)
Depth, Overall (inches) (including handles)	29 ¼ (743 mm)
Height, Overall (inches) (including 6" legs)	83 ¼ (2115 mm)
Number of Drawers	4

## REFRIGERANT DATA

Condensing Unit Size (H.P.)	¼+
Capacity (BTU per hour)*	1940

## ELECTRICAL DATA

Voltage (International)	115/60/1 (220/50/1)
Feed Wires (including ground)	3
Total Amps (International)	5.9 (3.9)
10 ft. Cord/Plug [attached] (International)	Yes (No)

## SHIPPING DATA

Height - Crated (inches)	85 ½ (2172 mm)
Width - Crated (inches)	31 ⅝ (803 mm)
Depth - Crated (inches)	42 (1067 mm)
Volume - Crated (cubic feet)	65 (1841 cu l)
Weight - Crated (pounds)	495 (225 kg)

## DRAWER PAN CONFIGURATIONS

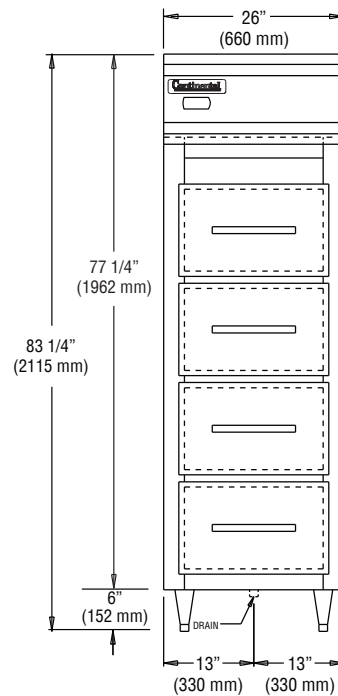
(1) 15 ⅝ x 20 x 6 pan per drawer (4 pans supplied)  
(can accommodate 12 x 20 perforated pans)

\* Rating @ +25°F evaporator, 90°F ambient  
Figures in parentheses reflect metric equivalents rounded to the nearest whole unit.

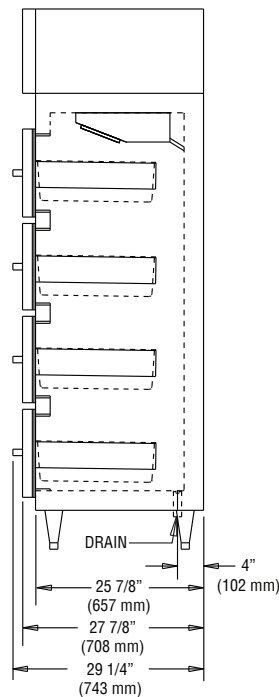


Equipped with one NEMA-5-15P Plug  
(varies by country)

# Model Plan Views



FRONT VIEW



SIDE VIEW

**IMPORTANT NOTE:** If the cabinet is located directly against a wall and/or under a low ceiling, a minimum clearance of 12" is required on top and 3" on sides and rear. 1" NPS Drain Tube must be directly piped to a building floor drain or connected to a suitable waste line.

**Continental**  
Refrigerator

Toll-Free: 800-523-7138  
Phone: 215-244-1400  
Fax: 215-244-9579

539 Dunksferry Road  
Bensalem, PA 19020  
[www.continentalrefrigerator.com](http://www.continentalrefrigerator.com)

Due to our continued efforts in developing innovative products, specifications subject to change without notice.



PROUDLY  
DESIGNED & ASSEMBLED  
IN THE U.S.A.

Intertek

© Copyright 2021. Continental Refrigerator.  
A Division of National Refrigeration & Air Conditioning Products, Inc.

REVISED: 5/27/2024