

# DESIGNER LINE DISPLAY REFRIGERATOR

## Model: D1RXNGD

Natural Refrigerant R-290 Model



### 1-Section Extra-Wide Reach-In Refrigerator with Hinged Glass Door

- D1RXNGD** - Stainless steel front, aluminum end panels and interior
- D1RXNSAGD** - Stainless steel exterior, aluminum interior
- D1RXNSSGD** - Stainless steel exterior and interior



## Options and Accessories

(upcharge and lead times may apply)

|                                       |   |
|---------------------------------------|---|
| Stainless steel case back             | Wine rack                                 |
| Additional epoxy coated steel shelves | Casters                                   |
| Chrome or stainless steel shelves     | Special electrical req. (consult factory) |
| Rehinging of door (consult factory)   |   |

Consult factory for other model configurations, options and accessories.

Project Name:

Model Specified:

Location:

Item No:

Quantity:

AIA #:

SIS #:

## Standard Model Features

### REFRIGERATION SYSTEM

Self contained, performance rated "plug" refrigeration system

Natural, environmentally safe, high efficiency R-290 refrigerant<sup>1</sup>

Refrigeration system is readily accessible on top of cabinet, separate from the "food zone"

Automatic, hot gas condensate evaporator

Expansion valve system

### CABINET ARCHITECTURE

3" non-CFC polyurethane foam insulation

Triple-pane, tempered hinged glass doors

Chrome-plated handles

Cam action, lift-off hinges

Self-closing doors

Magnetic snap in door gaskets

Cylinder lock in each door

Heavy duty, epoxy coated steel shelves

Heavy-duty pilaster strips

Adjustable 6" stainless steel legs

### MODEL FEATURES

LED interior lighting

Top and side air distribution ducts

Cabinet upper side panels and refrigeration "plug" system can be removed and reinstalled at job site

Electronic control, off cycle defrost

<sup>1</sup> R-290 refrigerant meets all federal and state regulatory requirements.



APPROVAL:

## Model Specifications

### DIMENSIONAL DATA

|   |                  |
|---|------------------|
| Net Capacity (cubic feet)                       | 32 (906 cu l)    |
| Width, Overall (inches)                         | 36 1/4 (921 mm)  |
| Depth, Overall (inches)<br>(including handle)   | 35 3/8 (899 mm)  |
| Depth (inches) (less door)                      | 32 (813 mm)      |
| Depth (inches) (door open 90°)                  | 66 (1676 mm)     |
| Clear Door Width (inches)                       | 29 5/8 (752 mm)  |
| Clear Door Height (inches)                      | 58 5/8 (1489 mm) |
| Height, Overall (inches)<br>(including 6" legs) | 83 1/4 (2115 mm) |
| Number of Doors                                 | 1                |
| Number of Shelves                               | 4                |
| Shelf Area (square feet)                        | 24.4 (2.3 sq m)  |

### REFRIGERANT DATA

|                             |      |
|-----------------------------|------|
| Condensing Unit Size (H.P.) | 1/3+ |
| Capacity (BTU per hour)*    | 2810 |

### ELECTRICAL DATA

|  |                     |
|--|---------------------|
| Voltage (International)                        | 115/60/1 (220/50/1) |
| Feed Wires (including ground)                  | 3                   |
| Total Amps (International)                     | 10.6 (6.0)          |
| 10 ft. Cord/Plug [attached]<br>(International) | Yes<br>(No)         |

### SHIPPING DATA

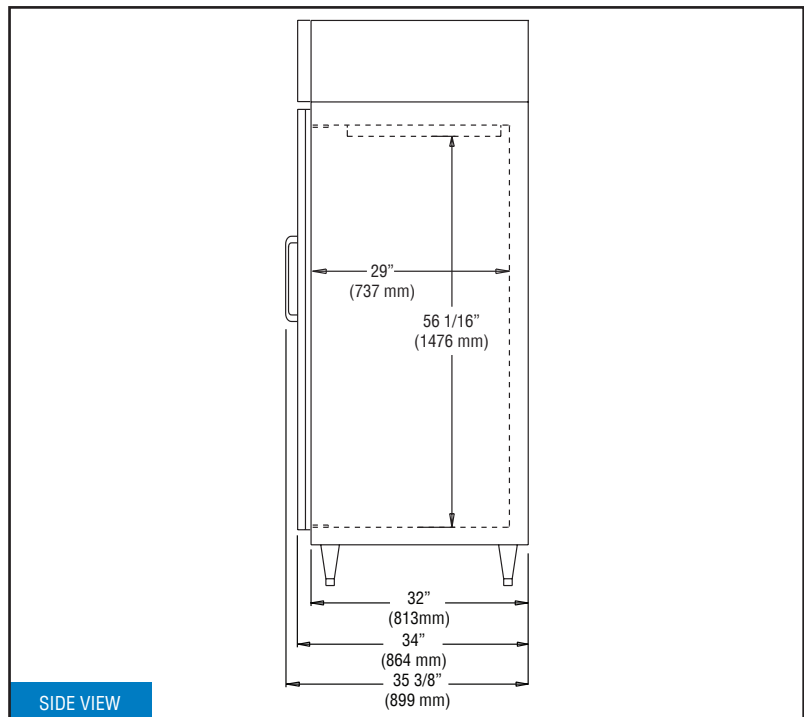
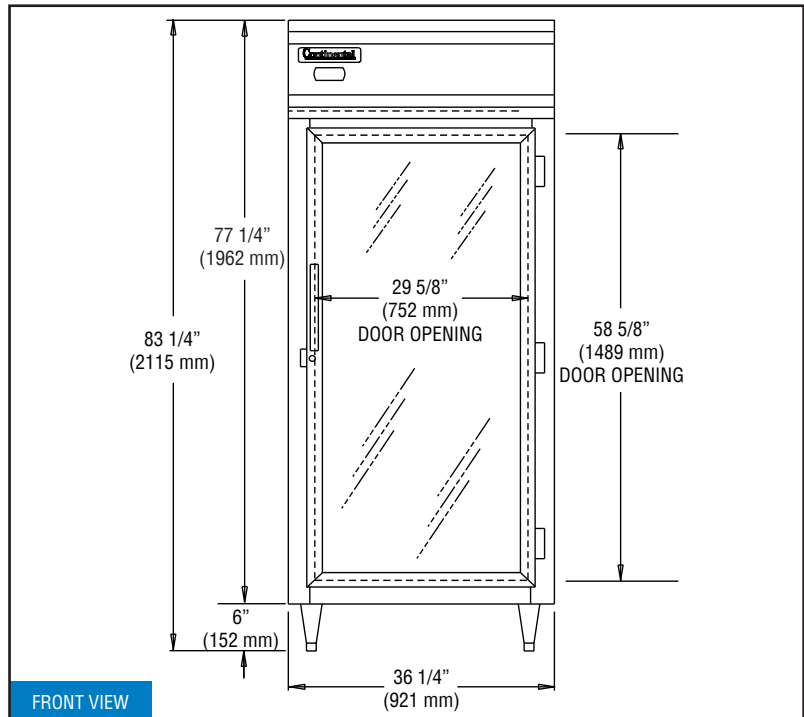
|                              |                  |
|------------------------------|------------------|
| Height - Crated (inches)     | 85 1/2 (2172 mm) |
| Width - Crated (inches)      | 42 (1067 mm)     |
| Depth - Crated (inches)      | 42 (1067 mm)     |
| Volume - Crated (cubic feet) | 87 (2464 cu l)   |
| Weight Std - Crated (pounds) | 370 (168 kg)     |
| Weight SS - Crated (pounds)  | 435 (198 kg)     |

\* Rating @ +25°F evaporator, 90°F ambient  
Figures in parentheses reflect metric equivalents rounded to the nearest whole unit.



Equipped with one NEMA-5-15P Plug  
(varies by country)

## Model Plan Views



**IMPORTANT NOTE:** If the cabinet is located directly against a wall and/or under a low ceiling, a minimum clearance of 12" is required on top and 3" on sides and rear.

**Continental**  
Refrigerator

Toll-Free: 800-523-7138  
Phone: 215-244-1400  
Fax: 215-244-9579

539 Dunksferry Road  
Bensalem, PA 19020  
[www.continentalrefrigerator.com](http://www.continentalrefrigerator.com)

Due to our continued efforts in developing innovative products, specifications subject to change without notice.



PROUDLY  
DESIGNED & ASSEMBLED  
IN THE U.S.A.

**Intertek**

© Copyright 2021. Continental Refrigerator.  
A Division of National Refrigeration & Air Conditioning Products, Inc.

REVISED: 4/26/2024