

# DESIGNER LINE REFRIGERATOR

## Model: D1RXSN

Natural Refrigerant R-290 Model

*Designer Line*

### 1-Section Extra-Wide Reach-In Refrigerator - Shallow Depth

**D1RXSN** - Stainless steel front, aluminum end panels and interior  
**D1RXNSA** - Stainless steel exterior, aluminum interior  
**D1RXNSS** - Stainless steel exterior and interior



## Options and Accessories

(upcharge and lead times may apply)

Stainless steel case back	<b>Correctional Facility Options</b>
Additional epoxy coated steel shelves	• One way security screws
Chrome or stainless steel shelves	• Locking hasp (lock not included)
Wine rack	• Stainless steel mesh cover
Caster options	• Coverless hinges
Custom laminates	Special electrical requirements (consult factory)
	Re-hinging of doors (consult factory)

Consult factory for other model configurations, options and accessories.

**Continental**  
Refrigerator



Project Name:

Model Specified:

Location:

Item No:

Quantity:

AIA #:

SIS #:

## Standard Model Features

### REFRIGERATION SYSTEM

Self contained, performance rated refrigeration system (coil in food zone)

Natural, environmentally safe, high efficiency R-290 refrigerant<sup>1</sup>

Automatic, hot gas condensate evaporator

Expansion valve system

### CABINET ARCHITECTURE

3" non-CFC polyurethane foam insulation

Smooth, polished chrome workflow door handle

Cam action, lift off hinges

Self-closing door

Magnetic snap-in Santoprene™ door gasket

Cylinder lock in door

Heavy duty pilaster strips

Heavy duty, epoxy coated steel shelves

Adjustable 6" stainless steel legs

### MODEL FEATURES

LED interior lighting

Electronic control, off cycle defrost

<sup>1</sup> R-290 refrigerant meets all federal and state regulatory requirements.

APPROVAL:

## Model Specifications

### DIMENSIONAL DATA

Net Capacity (cubic feet)	26 (736 cu l)
Width, Overall (inches)	36 1/4 (921 mm)
Depth, Overall (inches) (including handle)	29 1/4 (743 mm)
Depth (inches) (less door)	25 7/8 (657 mm)
Depth (inches) (door open 90°)	60 3/4 (1543 mm)
Clear Door Width (inches)	29 5/8 (752 mm)
Clear Door Height (inches)	58 5/8 (1489 mm)
Height, Overall (inches) (including 6" legs)	83 1/4 (2115 mm)
Number of Doors	1
Number of Shelves	3
Shelf Area (square feet)	24.4 (2.3 sq m)

### REFRIGERANT DATA

Condensing Unit Size (H.P.)	1/3+
Capacity (BTU per hour)*	2190

### ELECTRICAL DATA

Voltage (International)	115/60/1 (220/50/1)
Feed Wires (including ground)	3
Total Amps (International)	7.0 (4.7)
10 ft. Cord/Plug [attached] (International)	Yes (No)

### SHIPPING DATA

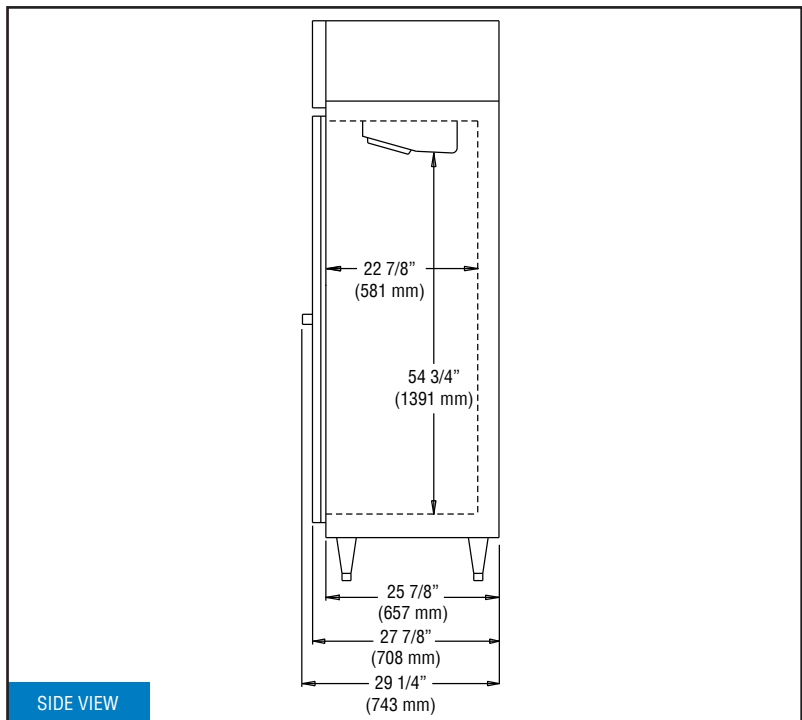
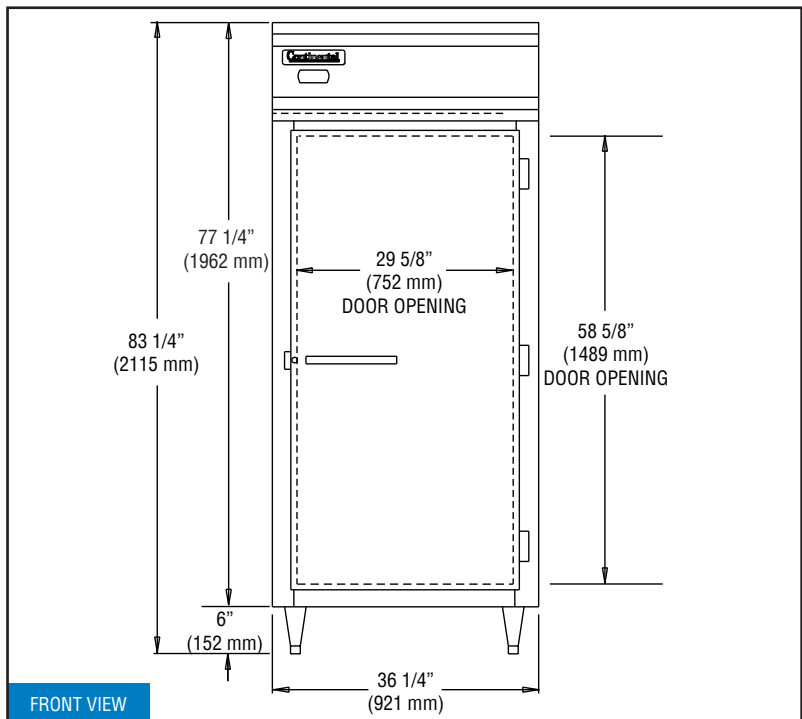
Height - Crated (inches)	85 1/2 (2172 mm)
Width - Crated (inches)	42 (1067 mm)
Depth - Crated (inches)	42 (1067 mm)
Volume - Crated (cubic feet)	87 (2464 cu l)
Weight Std - Crated (pounds)	330 (150 kg)
Weight SS - Crated (pounds)	395 (180 kg)

\* Rating @ +25°F evaporator, 90°F ambient  
Figures in parentheses reflect metric equivalents rounded to the nearest whole unit.



Equipped with one NEMA-5-15P Plug  
(varies by country)

## Model Plan Views



**IMPORTANT NOTE:** If the cabinet is located directly against a wall and/or under a low ceiling, a minimum clearance of 12" is required on top and 3" on sides and rear.

**Continental**  
Refrigerator

Toll-Free: 800-523-7138  
Phone: 215-244-1400  
Fax: 215-244-9579

539 Dunkserry Road  
Bensalem, PA 19020  
[www.continentalrefrigerator.com](http://www.continentalrefrigerator.com)

Due to our continued efforts in developing innovative products, specifications subject to change without notice.



PROUDLY  
DESIGNED & ASSEMBLED  
IN THE U.S.A.

Intertek

© Copyright 2020. Continental Refrigerator.  
A Division of National Refrigeration & Air Conditioning Products, Inc.

REVISED: 4/7/2024