

DESIGNER LINE DISPLAY REFRIGERATOR

Model: D2RESNSGD

Natural Refrigerant R-290 Model

Designer Line

2-Section Extra-Wide Display Reach-In Refrigerator with Sliding Glass Doors - Shallow Depth

- D2RESNSGD** - Stainless steel front, aluminum end panels and interior
- D2RESNSASGD** - Stainless steel exterior, aluminum interior
- D2RESNSSSGD** - Stainless steel exterior and interior



Options and Accessories

(upcharge and lead times may apply)

Stainless steel case back	Wine rack
Additional epoxy coated steel shelves	Casters
Chrome or stainless steel shelves	Special electrical req. (consult factory)

Consult factory for other model configurations, options and accessories.



Project Name:

Model Specified:

Location:

Item No:

Quantity:

AIA #:

SIS #:

Standard Model Features

REFRIGERATION SYSTEM

- Self contained, performance rated refrigeration system (coil in the cabinet zone)
- Natural, environmentally safe, high efficiency R-290 refrigerant¹
- Automatic, electric condensate evaporator
- Expansion valve system

CABINET ARCHITECTURE

- 3" non-CFC polyurethane foam insulation
- Double-pane, tempered sliding glass doors
- Snap in door wiper
- Door lock
- High efficiency Black PVC frame
- Self closing door
- Heavy duty, epoxy coated steel shelves
- Heavy-duty pilaster strips
- Adjustable 6" stainless steel legs

MODEL FEATURES

- LED interior lighting
- Electronic control, off cycle defrost

¹ R-290 refrigerant meets all federal and state regulatory requirements.

APPROVAL:

Model Specifications

DIMENSIONAL DATA

Net Capacity (cubic feet)	40 (1133 cu l)
Width, Overall (inches)	57 (1448 mm)
Depth, Overall (inches) (including grill)	27 7/8 (708 mm)
Depth (inches) (less grill)	25 7/8 (657 mm)
Clear Door Width (inches)	21 7/8 (556 mm)
Clear Door Height (inches)	54 3/4 (1391 mm)
Height, Overall (inches) (including 6" legs)	83 1/4 (2115 mm)
Number of Doors	2
Number of Shelves	8
Shelf Area (square feet)	40.8 (3.8 sq m)

REFRIGERANT DATA

Condensing Unit Size (H.P.)	1/3+
Capacity (BTU per hour)*	2560

ELECTRICAL DATA

Voltage (International)	115/60/1 (220/50/1)
Feed Wires (including ground)	3
Total Amps (International)	8.4 (5.1)
10 ft. Cord/Plug [attached] (International)	Yes (No)

SHIPPING DATA

Height - Crated (inches)	85 1/2 (2172 mm)
Width - Crated (inches)	64 (1626 mm)
Depth - Crated (inches)	42 (1067 mm)
Volume - Crated (cubic feet)	133 (3766 cu l)
Weight Std - Crated (pounds)	490 (223 kg)
Weight SS - Crated (pounds)	570 (259 kg)

* Rating @ +25°F evaporator, 90°F ambient
 Figures in parentheses reflect metric equivalents rounded to the nearest whole unit.



Equipped with one NEMA-5-15P Plug (varies by country)



Toll-Free: 800-523-7138
 Phone: 215-244-1400
 Fax: 215-244-9579

539 Dunksferry Road
 Bensalem, PA 19020
www.continentalrefrigerator.com

Due to our continued efforts in developing innovative products, specifications subject to change without notice.

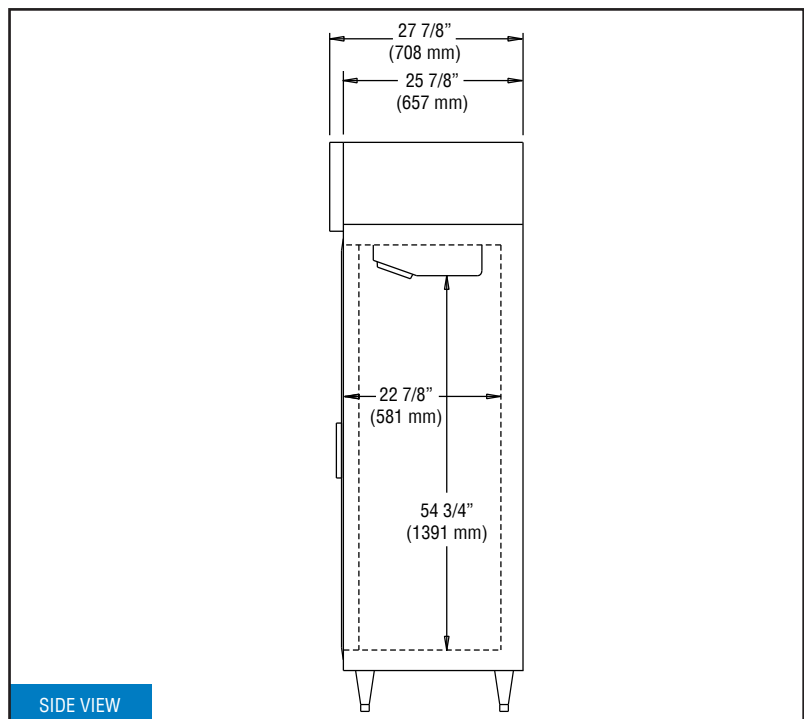
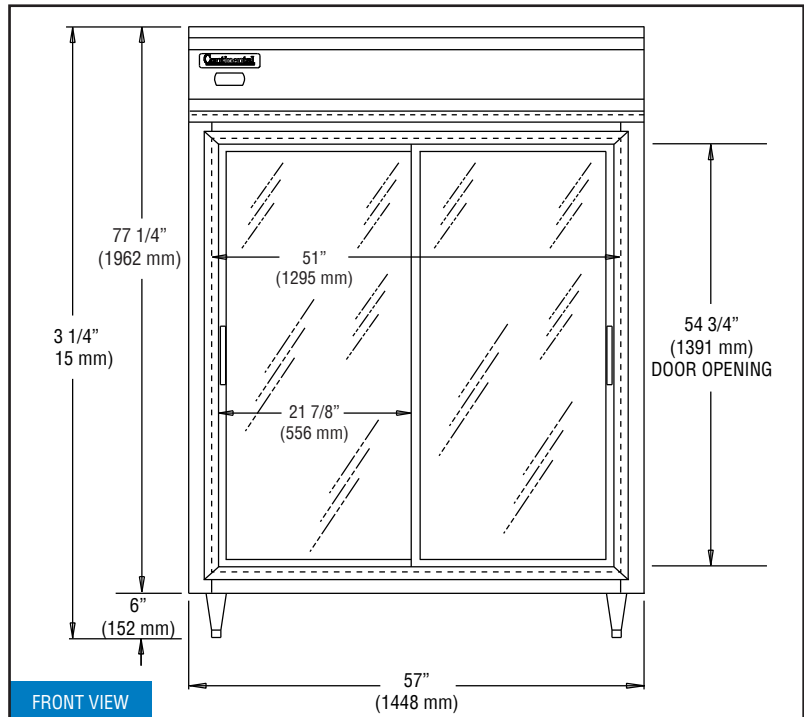


PROUDLY
 DESIGNED & ASSEMBLED
 IN THE U.S.A.

Intertek

© Copyright 2021. Continental Refrigerator.
 A Division of National Refrigeration & Air Conditioning Products, Inc.

Model Plan Views



IMPORTANT NOTE: If the cabinet is located directly against a wall and/or under a low ceiling, a minimum clearance of 12" is required on top and 3" on sides and rear.

REVISED: 4/26/2024