

# DESIGNER LINE SLIM LINE REFRIGERATOR

## Model: D2RSESN

Natural Refrigerant R-290 Model



## 2-Section Slim Line Reach-In Refrigerator - Shallow Depth

**D2RSESN** - Stainless steel front, aluminum end panels and interior

**D2RSENSA** - Stainless steel exterior, aluminum interior

**D2RSENSS** - Stainless steel exterior and interior



## Options and Accessories

(upcharge and lead times may apply)

Stainless steel case back	<b>Correctional Facility Options</b>
Additional epoxy coated steel shelf	• One way security screws
Chrome or stainless steel shelves	• Locking hasp (lock not included)
Caster options	• Stainless steel mesh cover
Custom laminates	• Coverless hinges
Re-hinging of doors (consult factory)	Special electrical requirements (consult factory)

Consult factory for other model configurations, options and accessories.



Project Name:

Model Specified:

Location:

Item No:

Quantity:

AIA #:

SIS #:

## Standard Model Features

### REFRIGERATION SYSTEM

Self contained, performance rated refrigeration system (coil in the cabinet zone)

Natural, environmentally safe, high efficiency R-290 refrigerant<sup>1</sup>

Automatic, electric condensate evaporator

Expansion valve system

### CABINET ARCHITECTURE

2" non-CFC polyurethane foam insulation

Smooth, polished chrome workflow door handles

Cam action, lift off hinges

Self-closing doors

Magnetic snap-in Santoprene™ door gaskets

Cylinder lock in each door

Heavy duty pilaster strips

Heavy duty, epoxy coated steel shelves

Adjustable 6" stainless steel legs

### MODEL FEATURES

LED interior lighting

Electronic control, off cycle defrost

Will accommodate 12 x 20 pans

<sup>1</sup> R-290 refrigerant meets all federal and state regulatory requirements.

APPROVAL:

## Model Specifications

### DIMENSIONAL DATA

Net Capacity (cubic feet)	24 (680 cu l)
Width, Overall (inches)	36 1/4 (921 mm)
Depth, Overall (inches) (including handles)	29 1/4 (743 mm)
Depth (inches) (less doors)	25 7/8 (657 mm)
Depth (inches) (doors open 90°)	41 1/4 (1048 mm)
Clear Door Width (inches)	12 7/8 (327 mm)
Clear Door Height (inches)	58 5/8 (1489 mm)
Height, Overall (inches) (including 6" legs)	83 1/4 (2115 mm)
Number of Doors	2
Number of Shelves	6
Shelf Area (square feet)	24.4 (2.3 sq m)

### REFRIGERANT DATA

Condensing Unit Size (H.P.)	1/3+
Capacity (BTU per hour)*	2190

### ELECTRICAL DATA

Voltage (International)	115/60/1 (220/50/1)
Feed Wires (including ground)	3
Total Amps (International)	8.1 (4.9)
10 ft. Cord/Plug [attached] (International)	Yes (No)

### SHIPPING DATA

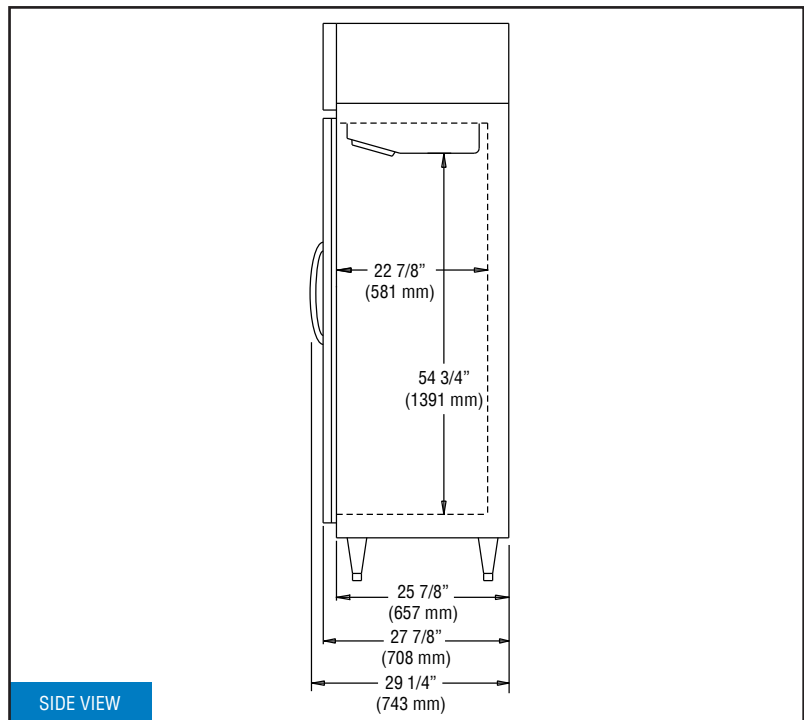
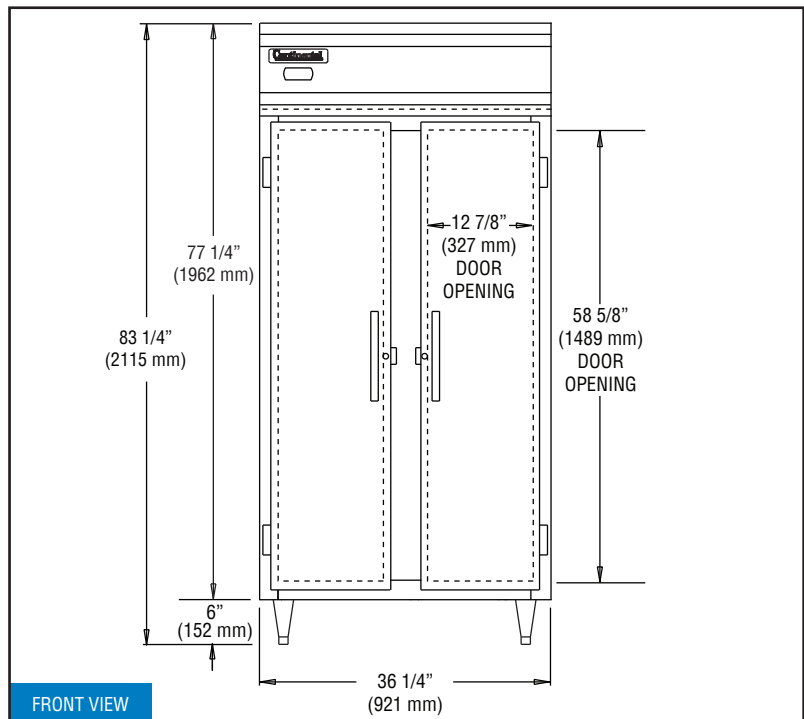
Height - Crated (inches)	85 1/2 (2172 mm)
Width - Crated (inches)	42 (1067 mm)
Depth - Crated (inches)	42 (1067 mm)
Volume - Crated (cubic feet)	84 (2379 cu l)
Weight Std - Crated (pounds)	350 (159 kg)
Weight SS - Crated (pounds)	420 (191 kg)

\* Rating @ +25°F evaporator, 90°F ambient  
Figures in parentheses reflect metric equivalents rounded to the nearest whole unit.



Equipped with one NEMA-5-15P Plug  
(varies by country)

## Model Plan Views



**IMPORTANT NOTE:** If the cabinet is located directly against a wall and/or under a low ceiling, a minimum clearance of 12" is required on top and 3" on sides and rear.

**Continental**  
Refrigerator

Toll-Free: 800-523-7138  
Phone: 215-244-1400  
Fax: 215-244-9579

539 Dunksferry Road  
Bensalem, PA 19020  
[www.continentalrefrigerator.com](http://www.continentalrefrigerator.com)

Due to our continued efforts in developing innovative products, specifications subject to change without notice.



PROUDLY  
DESIGNED & ASSEMBLED  
IN THE U.S.A.

Intertek

© Copyright 2021. Continental Refrigerator.  
A Division of National Refrigeration & Air Conditioning Products, Inc.

REVISED: 6/27/24