

DESIGNER LINE BASE MODEL

Model: DRA118NSSBS-D *Designer Line*
 Natural Refrigerant R-290 Model

118" Base Worktop Refrigerator with Drawers and 5½" Backsplash

Heavy gauge #300 Series stainless steel top, stainless steel front, end panels and interior, galvanized steel rear and grill.



Options and Accessories

(upcharge and lead times may apply)

Compressor left (standard on right)	Different size casters
Stainless steel back	Door locks
Drawer in lieu of door section above the condensing unit*	Front breathing

Project Name:

Model Specified:

Location:

Item No: Quantity:

AIA #: SIS #:

Standard Model Features

REFRIGERATION SYSTEM

- Performance rated refrigeration system
- Natural, environmentally safe, high efficiency R-290 refrigerant¹
- Unique forced air design utilizes fans (approx. every 12") across the entire back of unit for even distribution of cold
- Automatic, hot gas condensate evaporator
- Non-corrosive, plasticized fin evaporator coil
- Easily serviceable, back mounted compressor
- Expansion valve system

CABINET ARCHITECTURE

- 2" non-CFC polyurethane foam insulation
- Smooth, polished chrome drawer/door handles
- Spring loaded, self closing door (over condensing unit)
- Magnetic snap in Santoprene™ drawer/door gaskets
- Stainless steel roll out drawers
- Completely enclosed, vented and removable rear and side grills
- 6" adjustable stainless steel legs

MODEL FEATURES

- Electronic control, off-cycle defrost
- Refrigerated section with door above the condensing unit
- Field rehingeable door (over condensing unit)

¹ R-290 refrigerant meets all federal and state regulatory requirements.

NOTE: Models come standard with a door over the condensing unit. A drawer over the condensing unit is an option.



APPROVAL:

Model Specifications

DIMENSIONAL DATA

Net Capacity (cubic feet)	44 (1246 cu l)
Width, Overall (inches)	118 (2997 mm)
Depth, Overall (inches) (including handles & bumpers)	36 ⁵ / ₁₆ (922 mm)
Height, Overall (inches) (including 6" legs)	41 ¹ / ₂ (1054 mm)
Number of Drawers	8
Number of Half Doors	1
Interior Depth (inches) (above condenser)	30 (762 mm)
Interior Height (inches) (above condenser)	12 ¹ / ₂ (318 mm)
Interior Width (inches) (above condenser)	17 (432 mm)

REFRIGERANT DATA

Condensing Unit Size (H.P.)	1/4+
Capacity (BTU per hour)*	5260

ELECTRICAL DATA

Voltage (International)	115/60/1 (220/50/1)
Total Amps (International)	5.4 (3.6)
10 ft. Cord/Plug [attached] (International)	Yes (No)

SHIPPING DATA

Weight (pounds)	1140 (518 kg)
Height - Crated (inches)	43 ³ / ₄ (1111 mm)
Width - Crated (inches)	120 (3048 mm)
Depth - Crated (inches)	47 (1194 mm)

DRAWER PAN CONFIGURATIONS

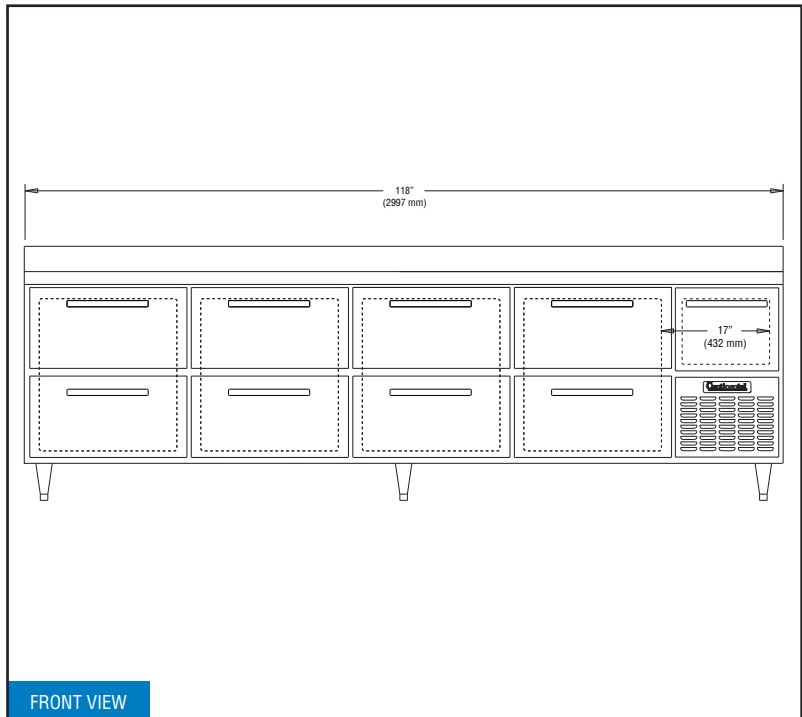
Two Tier: (2) 12 x 20 x 6 pans per drawer

* Rating @ +25°F evaporator, 90°F ambient
Figures in parentheses reflect metric equivalents rounded to the nearest whole unit.

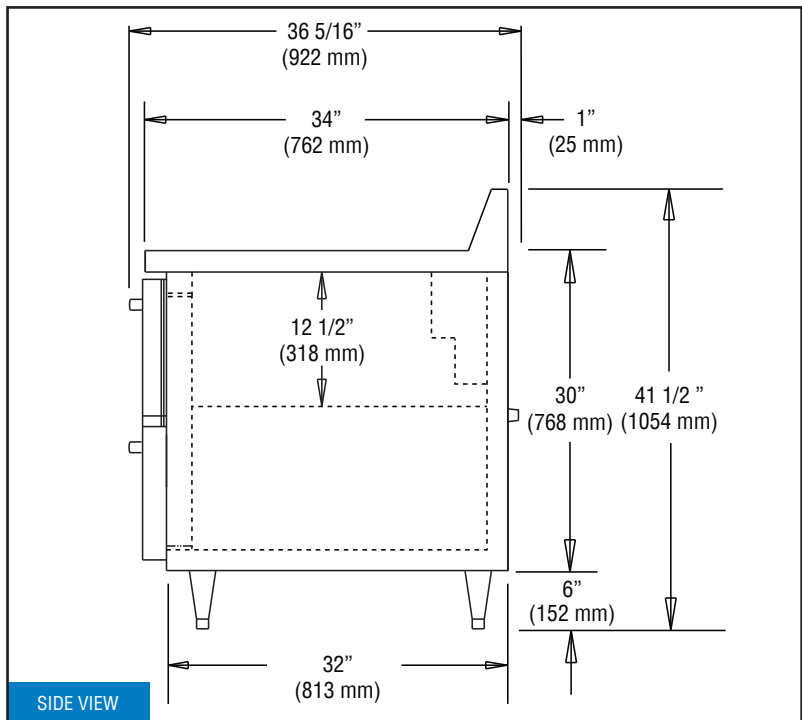


Equipped with one NEMA-5-15P Plug
(varies by country)

Model Plan Views



FRONT VIEW



SIDE VIEW

IMPORTANT NOTE: If the cabinet is located directly against a wall, a minimum clearance of 3" is required on sides, front and rear.

Continental
Refrigerator

Toll-Free: 800-523-7138
Phone: 215-244-1400
Fax: 215-244-9579

539 Dunksferry Road
Bensalem, PA 19020
www.continentalrefrigerator.com

Due to our continued efforts in developing innovative products, specifications subject to change without notice.



PROUDLY
DESIGNED & ASSEMBLED
IN THE U.S.A.

Intertek

© Copyright 2021. Continental Refrigerator.
A Division of National Refrigeration & Air Conditioning Products, Inc.

REVISED: 7/21/2024