

DESIGNER LINE FISH FILE

Model: DRA43NSS-F



43" Base Worktop Fish File

Specially designed for the storage of fresh fish packed in crushed ice in drawer pans supplied with unit.

#300 Series stainless interior, stainless steel exterior.



Options and Accessories

(upcharge and lead times may apply)

Stainless steel back	Casters
Drawer/door locks	Front breathing
Overshelves (single or double)	Condensing unit left (standard on right)
Drawer in lieu of door section above the condensing unit*	Special electrical requirements (consult factory)
Backsplash	

Consult factory for other model configurations, options and accessories.

*Drawer section above condensing unit holds (1) 12 x 20 x 6 pan (not supplied). This section is not set up for fish storage.

Project Name:

Model Specified:

Location:

Item No:

Quantity:

AIA #:

SIS #:

Standard Model Features

REFRIGERATION SYSTEM

Performance rated refrigeration system

Natural, environmentally safe, high efficiency R-290 refrigerant¹

Unique forced air design utilizes fans (approx. every 12") across the entire back of unit for even distribution of cold

Automatic, hot gas condensate evaporator

Non-corrosive, plasticized fin evaporator coil

Easily serviceable, slide out condensing unit

Expansion valve system

CABINET ARCHITECTURE

2" non-CFC polyurethane foam insulation

Spring loaded, self closing door (above condensing unit)

Stainless steel, easy glide roll out drawers on heavy duty drawer track

Smooth, polished chrome drawer handles

Magnetic snap in Santoprene™ drawer/door gaskets

Adjustable 6" stainless steel legs

MODEL FEATURES

Knob-type electronic controller mounted in control box

Refrigerated section w/door above the condensing unit

1" diameter cleanout drain (requires provisions for floor drain)

Fully welded, non-corrosive stainless steel pan per drawer w/built-in drain tubes and ice grates (drain into gutter)*

Electronic control, off-cycle defrost

Field rehingeable door (above condensing unit)

¹ R-290 refrigerant meets all federal and state regulatory requirements.

APPROVAL:



Model Specifications

DIMENSIONAL DATA

Net Capacity (cubic feet)	12 (340 cu l)
Width, Overall (inches)	43 (1092 mm)
Depth, Overall (inches) (including handles & bumpers)	36 ⁵ / ₁₆ (922 mm)
Height, Overall (inches) (including 6" legs)	36 (914 mm)
Number of Drawers	2
Number of Half Doors	1
Interior Depth (inches) (above condenser)	30 (762 mm)
Interior Height (inches) (above condenser)	12 ¹ / ₂ (318 mm)
Interior Width (inches) (above condenser)	17 (432 mm)

REFRIGERANT DATA

Condensing Unit Size (H.P.)	¹ / ₄ +
Capacity (BTU per hour)*	2610

ELECTRICAL DATA

Voltage (International)	115/60/1 (220/50/1)
Total Amps (International)	4.5 (3.1)
10 ft. Cord/Plug [attached] (International)	Yes (No)

SHIPPING DATA

Weight (pounds)	355 (161 kg)
Height - Crated (inches)	43 ³ / ₄ (1111 mm)
Width - Crated (inches)	45 (1143 mm)
Depth - Crated (inches)	47 (1194 mm)

DRAWER PAN CONFIGURATIONS

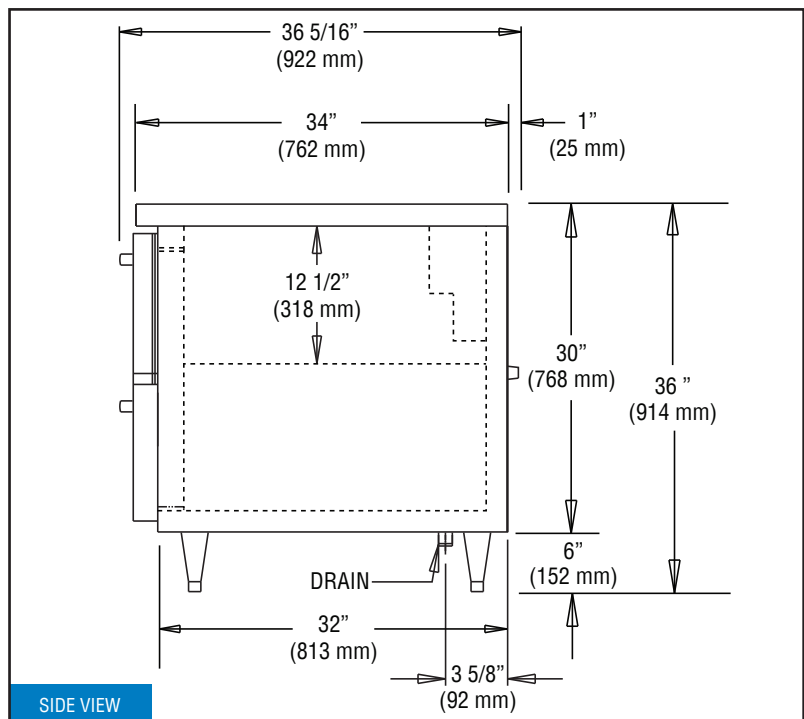
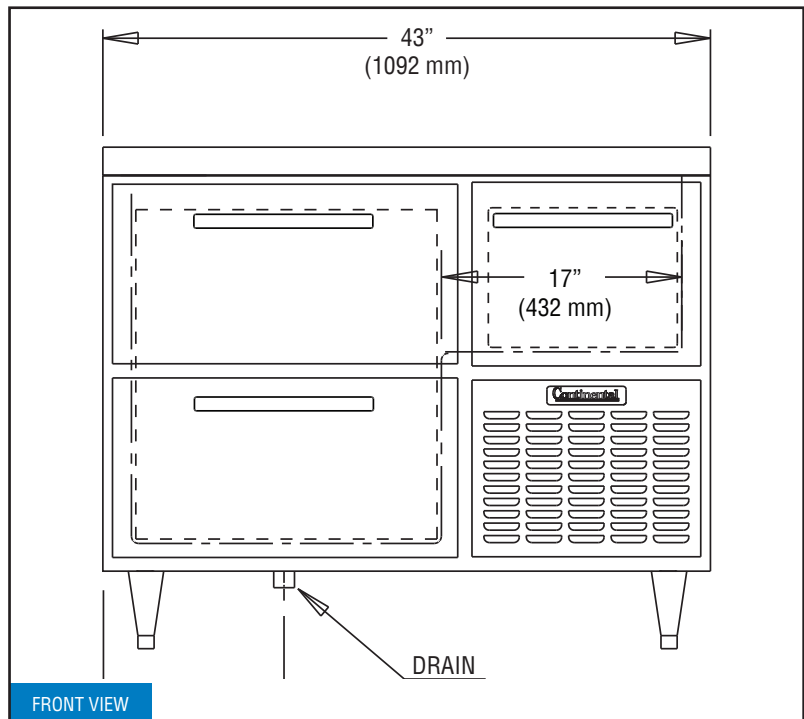
(1) 20 ⁵/₃₂ x 17 ³/₄ x 6 pan per drawer (2 pans supplied)
(can accommodate 12 x 20 perforated pans)

* Rating @ +25°F evaporator, 90°F ambient
Figures in parentheses reflect metric equivalents rounded to the nearest whole unit.



Equipped with one NEMA-5-15P Plug
(varies by country)

Model Plan Views



IMPORTANT NOTE: If the cabinet is located directly against a wall, a **minimum clearance of 3"** is required **on sides, front and rear.** **1" NPS Drain Tube must be directly piped to a building floor drain or connected to a suitable waste line.**

Continental
Refrigerator

Toll-Free: 800-523-7138
Phone: 215-244-1400
Fax: 215-244-9579

539 Dunksferry Road
Bensalem, PA 19020
www.continentalrefrigerator.com

Due to our continued efforts in developing innovative products, specifications subject to change without notice.



PROUDLY
DESIGNED & ASSEMBLED
IN THE U.S.A.

Intertek

© Copyright 2021. Continental Refrigerator.
A Division of National Refrigeration & Air Conditioning Products, Inc.

REVISED: 5/27/2024