

# SHALLOW DEPTH BASE MODEL SANDWICH UNIT

## Model: RA68SN10-D

Natural Refrigerant R-290 Model

### 68" Shallow Depth Base Model Sandwich Unit with Drawers - 10 Pans

Heavy gauge #300 series stainless steel top, stainless steel front and end panels, galvanized steel rear and grills and aluminum interior.



## Options and Accessories

(upcharge and lead times may apply)

|                                |   |
|--------------------------------|---|
| Stainless steel interior       | Flat lid  |
| Stainless steel back           | Vision panel lid                                      |
| Overshelves (single or double) | Door & drawer locks                                   |
| Adjustable legs                | Front breathing                                       |
| Rear mounted cutting board     | Compressor left (standard on right)                   |
| Composite cutting board        | Drawer in lieu of door section above condensing unit* |

Consult factory for other model configurations, options and accessories.

\*Drawer section above condensing unit holds (4) 1/6 pans

**Continental**<sup>®</sup>  
Refrigerator



Project Name:

Model Specified:

Location:

Item No:

Quantity:

AIA #:

SIS #:

## Standard Model Features

### REFRIGERATION SYSTEM

Performance rated refrigeration system

Natural, environmentally safe, high efficiency R-290 refrigerant<sup>1</sup>

Unique forced air design utilizes fans (approx. every 12") across the entire back of unit for even distribution of cold

Automatic, hot gas condensate evaporator

Non-corrosive, plasticized fin evaporator coil

Easily serviceable, slide out condensing unit

Expansion valve system

### CABINET ARCHITECTURE

2" non-CFC polyurethane foam insulation

Smooth, polished chrome door & drawer handles

Spring loaded, self closing door over condensing unit

Magnetic snap in Santoprene™ door gaskets

Stainless steel roll out drawers

10" deep, full length nylon cutting board

Insulated lid

5" casters

### MODEL FEATURES

Refrigerated section with door above the condensing unit

(10) 1/6 size recessed pans, 4" deep

Electronic control, off-cycle defrost

Field rehingeable door over condensing unit

<sup>1</sup> R-290 refrigerant meets all federal and state regulatory requirements.

**NOTE:** Models come standard with a door above the condensing unit. A drawer above the condensing unit is an option.

APPROVAL:

# Model Specifications

## DIMENSIONAL DATA

|  |                 |
|--|-----------------|
| Net Capacity (cubic feet)                                | 22 (623 cu l)   |
| 1/6 Size Pans (4" deep)                                  | 10              |
| Width, Overall (inches)                                  | 68 (1727 mm)    |
| Depth, Overall (inches)<br>(including handles & bumpers) | 31 (764 mm)     |
| Depth, Cutting Board (inches)                            | 10 (254 mm)     |
| Height, Overall (inches)<br>(including 5" casters)       | 42 (1067 mm)    |
| Number of Drawers  | 4               |
| Number of Half Doors                                     | 1               |
| Interior Depth (inches)<br>(above condenser)             | 24 (762 mm)     |
| Interior Height (inches)<br>(above condenser)            | 12 1/2 (318 mm) |

## REFRIGERANT DATA

|                             |      |
|-----------------------------|------|
| Condensing Unit Size (H.P.) | 1/3+ |
| Capacity (BTU per hour)*    | 2600 |

## ELECTRICAL DATA

|  |                     |
|--|---------------------|
| Voltage (International)                        | 115/60/1 (220/50/1) |
| Total Amps (International)                     | 5.8 (3.9)           |
| 10 ft. Cord/Plug [attached]<br>(International) | Yes<br>(No)         |

## SHIPPING DATA

|                          |                  |
|--------------------------|------------------|
| Weight (pounds)          | 390 (222 kg)     |
| Height - Crated (inches) | 43 3/4 (1111 mm) |
| Width - Crated (inches)  | 70 (1778 mm)     |
| Depth - Crated (inches)  | 47 (1194 mm)     |

## DRAWER PAN CONFIGURATIONS

**Two Tier:** (1) 12 x 20 x 6 pan per drawer

\* Rating @ +25°F evaporator, 90°F ambient  
Figures in parentheses reflect metric equivalents rounded to the nearest whole unit.



Equipped with one NEMA-5-15P Plug  
(varies by country)

# Continental<sup>®</sup>

Refrigerator

Toll-Free: 800-523-7138  
Phone: 215-244-1400  
Fax: 215-244-9579

539 Dunkserry Road  
Bensalem, PA 19020  
[www.continentalrefrigerator.com](http://www.continentalrefrigerator.com)

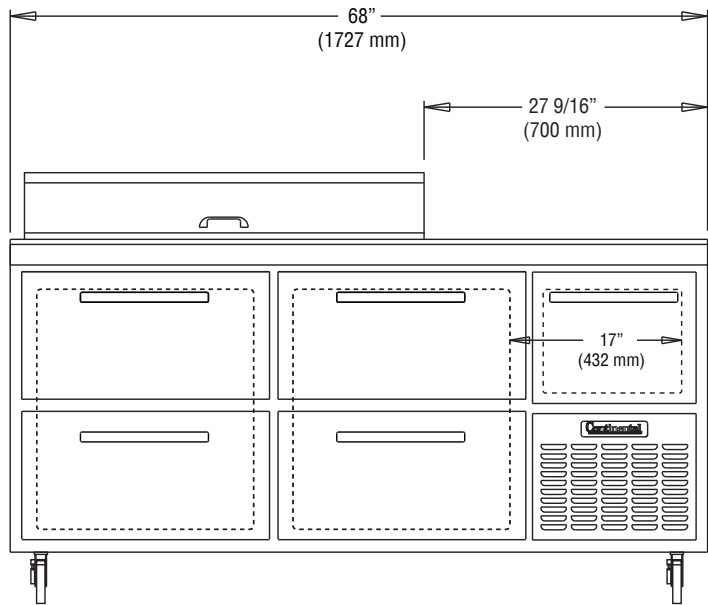
Due to our continued efforts in developing innovative products, specifications subject to change without notice.



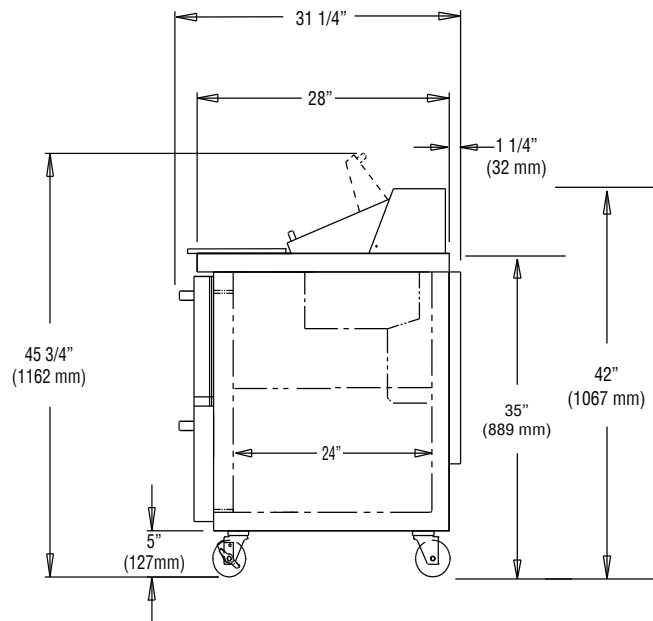
PROUDLY  
DESIGNED & ASSEMBLED  
IN THE U.S.A.

© Copyright 2021. Continental Refrigerator.  
A Division of National Refrigeration & Air Conditioning Products, Inc.

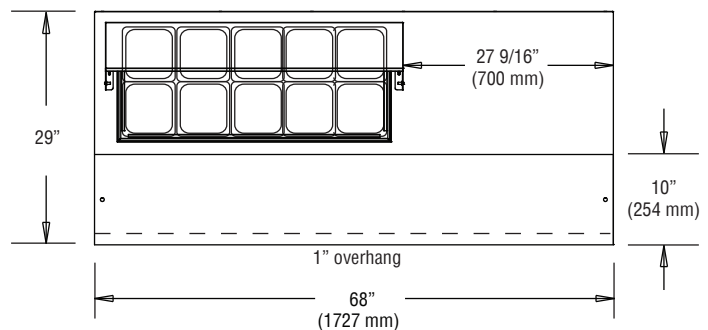
# Model Plan Views



FRONT VIEW



SIDE VIEW



PAN TOP CONFIGURATION

REVISED: 2/16/24